



68 Vincent Square TV, Telephone & Data User Guide



Version:	1.0
Date:	August 2007
For:	Residents of Vincent Square
Contents:	Instructions on how to use, configure and extend the TV/Satellite & Telephone/Data systems within the apartments at Vincent Square
Latest Revision:	www.abledata.co.uk/vincent

Contents

1	Introduction	5
2	Support & Assistance	7
2.1	General Help & Advice	7
2.2	In Depth Help	7
2.3	Download This Guide	7
2.4	Cables & Parts	7
3	Equipment Cabinet	9
3.1	Cabinet	9
3.2	Patching	9
3.3	Leads	10
4	The TV System	11
4.1	General Capability	11
4.2	Lounge TV Plate	11
4.3	Master Bedroom Plate (Private Apartments only)	12
4.4	Other Bedroom Plates	13
4.5	Re-configuring TV Patch Panel (Private Apartments)	13
4.6	Default TV Configuration	14
4.7	Use Return from Lounge to View Sky in Bedrooms	17
4.8	Other Configurations	21
5	The Telephone & Data System (Private Apartments)	22
5.1	Introduction	22
5.2	Inside the Equipment Cabinet	22
5.3	Connecting Telephone Extensions	24
5.4	Connecting a Second Line	25
5.5	ADSL Broadband	25
5.6	Other Applications	27
Appendix A	Voice Line Circuit Information	29
Appendix B	BT-RJ45 Patch Lead Schematic	31
Appendix C	Enabling the Sky RF2 Output	32
Appendix D	Affordable Flat TV Cabling	33
Appendix E	Affordable Flat Telephone Cabling	34
Appendix F	Commonly Used Leads & Parts	35

1 Introduction

This guide is aimed for tenants of both Private and Affordable Apartments at 68 Vincent Square.

Some sections, shown in black, are only applicable to Private Apartments. Other sections, shown in green, are unless stated otherwise applicable to both Private and Affordable Apartments.

The Vincent Square dwellings are equipped with general purpose:

- TV and Satellite reception system
- Telephone/Network system

Whilst these systems are configured to provide adequate TV and Telephone services, there may be significant benefits from understanding how to extend and re-configure the systems to provide more flexible options.

For example, the TV system as installed in the Private Dwellings will only provide satellite signals to the Lounge and Sat 2 of the Master bedroom. This guide will show you how to re-configure the system to watch and control the Lounge Sky box in the bedrooms or use Sky+/SkyHD in the Master bedroom.

As a further example, the Telephone/Data system as installed will only provide the main telephone line to the various outlets. This guide will show you how to re-configure the Private Dwelling system to provide a second telephone line to any wall outlet.

This guide describes what the systems do and how to set them up to provide a broader variety of functions.

Note that this guide is aimed at people who have some experience of plugging in and setting up TV's or telephones. If this does not apply to you, please show this guide to the person who is assisting you to set up the TV's and Telephones in your apartment.



2 Support & Assistance

2.1 General Help & Advice

If you require help, please contact the Vincent Square managing agent, who will do their best to assist.

2.2 In Depth Help

For more in depth help, feel free to contact Able Data, who installed and maintain the system.

Able Data offer a chargeable consultancy service to Vincent Square residents for the setting up and configuring of Audio Visual and Computer systems.

Able Data Installations
Able House
1 Figtree Hill
Hemel Hempstead
Herts
HP2 5XL
Tel: 01442 219580

Please call during normal working days 8:30 – 17:30.

Alternatively visit the Able Data web site at www.abledata.co.uk/vincent where information about new products and services will be shown.

2.3 Download This Guide

For the latest online version of this manual, visit the Able Data website at www.abledata.co.uk/vincent

2.4 Cables & Parts

The system is supplied with a base set of cables. However, when you are connecting up equipment, you may require additional cables and parts.

A list of the most common parts may be found in Appendix F. These part numbers are referenced in this guide as they are mentioned and shown in *blue italics*.

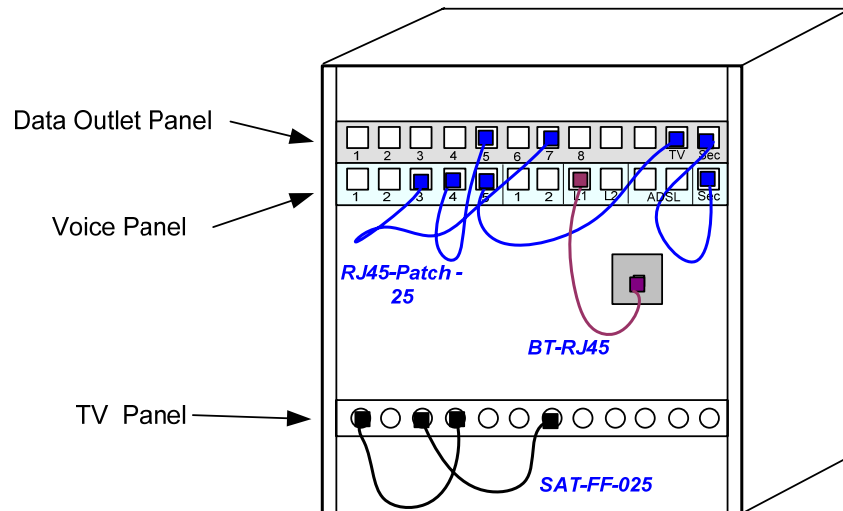
If a particular part is difficult to source this way, they can be obtained from Able Data, details as above. Please call for more information and prices.

3 Equipment Cabinet

All Private apartments are equipped with a 10 inch wide equipment cabinet.

3.1 Cabinet

Most changes to the Private Apartment systems will be done in the equipment cabinet. The equipment cabinet is a small wall mounted cabinet which will normally be found under the stairs or in the hallway cupboards. All of the Data/Telephone outlets around the dwelling cables are connected back to the equipment cabinet.



Most changes can be made by re-patching the patch panels within the equipment cabinet (see next section).

More advanced changes can be made by adding equipment to the cabinet. A 4-way power strip is provided inside the cabinet to power such devices. The Equipment Cabinet will house any standard 10-inch mounting equipment.

3.2 Patching

Patching is a term used to describe connecting two sockets on a panel with a patch lead. The patch leads are designed to be easily plugged or unplugged onto/from the patch panels.

In the Equipment Cabinet, two main types of patch lead are used:

- Data patch leads (*RJ45-Patch-025*) (sometimes called RJ45 patch leads). These are used to interconnect sockets on the Data Panel and Voice Panel.
 - To disconnect one end of a lead (the RJ45 plug), squeeze up the plastic end at the bottom of the and simply pull out.
 - To re-connect a lead, push into the socket (ensuring the right way up) until it clicks into place.
- TV patch leads (*SAT-FF-025 or SAT-FF-050*). These are used to interconnect sockets on the TV panel.
 - To disconnect one end of a lead (the F-plug), screw the metal cap anti-clockwise until it comes off. Then pull out the lead.

- To re-connect a lead, carefully push the central copper wire into the socket central hole and then screw the metal cap clockwise until finger tight.

3.3 Leads

The system is installed with sufficient leads to do basic patching. However, to connect telephones, televisions, Sky boxes or other equipment, additional leads will be required. These may be purchased as described in Section 2.4.

4 The TV System

4.1 General Capability

Each Dwelling is provided with signals to allow receiving of any of the following:

- Standard Analogue Terrestrial TV channels (BBC1, BBC2, ITV1, CH4, CH5).
- Freeview (otherwise known as DTT). This provide the same five channels as above, plus a number of other free to view channels, such as BBC3, BBC4, BBC News 24, ITV2, ITV3, ITV4 etc.
- Sky Digital (Sky or Sky+, including Sky HD).
- FM and DABS Radio.

As part of the national 'analogue switch off', it is planned that sometime in 2012 the Analogue Terrestrial broadcast services in the London area will be switched off. From that date on, Freeview will be the only way of receiving 'off air' TV services. If your TV is not equipped with an integrated digital tuner, you will still be able to receive standard TV by purchasing a Freeview set top box.

These signals are provided from a centralised reception system in the 68 Vincent Square and should always be of the highest quality.

4.2 Lounge TV Plate

The main TV outlet will be found in the Lounge. This outlet provides facilities for receiving standard TV, Satellite and/or radio.

Standard TV

A TV plugs into the outlet marked TV (marked in red in the picture) using a standard TV aerial lead (*TV-Aerial-xxx*). This outlet is the equivalent of the TV aerial socket to be found in many houses.

Either standard analogue TV or FreeView Digital TV may be received. Hence for example, a FreeView box may be connected to the TV socket as described in the instructions that come with the FreeView equipment.

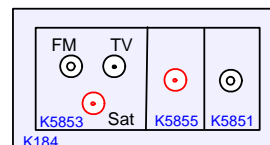
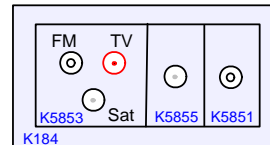
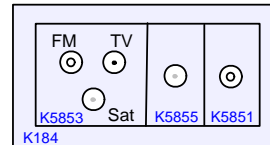
Sky Satellite

If you have a Sky subscription and a Sky Digibox, you will be able to receive Sky TV from the Lounge socket.

1. Connect the Sky Digibox Sat 1 input to the Sat outlet using a satellite lead (*SAT-FF-xxx*). If you have brought the Digibox from a home with its own Sky dish, it will not come with a satellite lead, so you will need to obtain one.

If the Digibox is Sky+ or HD, you will also need to:

- Connect the Digibox Sat 2 input to the second satellite also shown in red outlet using a second satellite lead (*SAT-FF-xxx*).



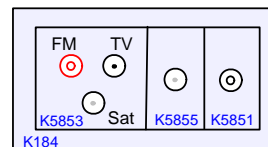
- (Private apartments only) Check that the TV patch panel in the Equipment Cabinet is properly configured for Sky+ /HD – see configuration examples below.
2. Plug the telephone connection of the Sky box into the Telephone outlet next to the Main Socket. The standard lead that came with the Sky Digibox may be used. This connection is only required for the reception of Sky interactive services. However, Sky may also require you to connect for contractual reasons.

Note: If you find the Telephone connection does not work, it may be because the Telephone socket has not been properly configured in the Equipment Cabinet. See Section 5.3.
 3. Connect your TV or display into the Sky Digibox using the standard TV lead, SCART or others leads supplied with the Digibox.
 4. Connect the Sky Digibox Aerial Input to the TV outlet using a standard TV lead (*TV-Aerial-xxx*). Note that this connection is only necessary if you are either:
 - Connecting your TV to the Sky Digibox via a TV aerial lead (see previous step) and may use the TV analogue tuner to watch terrestrial TV.
 - Using the return socket to feed the Sky Digibox output to other rooms.

If you already are a Sky subscriber you will be able to setup Sky by following the instructions above. If however, you wish to start a new subscription, please contact Able Data as shown in Section 2.2 and they will be able to provide assistance on connecting to Sky.

Radio

IF you have an FM or DABS tuner, you can receive high quality signals by plugging the tuner into the FM outlet (shown in red).



4.3 Master Bedroom Plate (Private Apartments only)

The master bedroom TV socket looks and functions the same as the one in the lounge. However, due to the limitation of three Satellite feeds into each dwelling, by default it is configured to provide only TV and single Sky (not Sky+ /Sky HD).

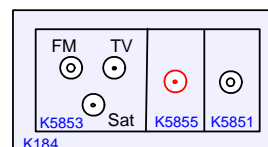
TV and/or Radio

Follow the same instructions as for Lounge above

Sky Satellite (Standard Sky only)

Single Bed Apartments: Follow the Sky Satellite instructions as for Lounge above.

Two/Three Bed Apartments: Follow the Sky Satellite instructions as for Lounge above, except plug the Sky feed into the second Sky outlet as shown in red.



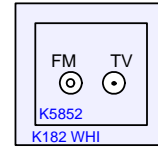
Sky+ /SkyHD

It is possible to view Sky+ /SkyHD in the master bedroom by stealing one of the Sky feeds from the lounge, in which case only Standard Sky

can then be viewed in the lounge. To do this you must re-configure the TV patch panel (see Section 4.6 below).

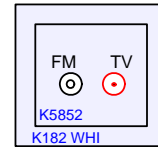
4.4 Other Bedroom Plates

Other bedrooms (Bedroom 1 in affordable dwellings) have their own TV diplex socket. This outlet provides facilities for receiving standard TV or radio.



Standard TV

A TV plugs into the outlet marked TV using a standard TV aerial lead (*TV-Aerial-xxx*). This outlet is the equivalent of the TV aerial socket to be found in many houses.

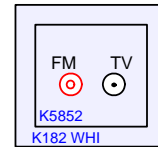


Either standard TV or FreeView Digital TV may be received. Hence for example, a FreeView box may be connected to the TV socket as described in the instructions that come with the FreeView equipment.

If the Lounge Return is correctly configured (see Section 4.8 below for Private apartments), the Sky program may also be viewed.

Radio

IF you have an FM or DABS tuner, you can receive high quality signals by plugging the tuner into the FM outlet.



4.5 Re-configuring TV Patch Panel (Private Apartments)

In order to configure which TV outlet receives signals, some re-configuration of the TV patch panel within the cabinet may be required.

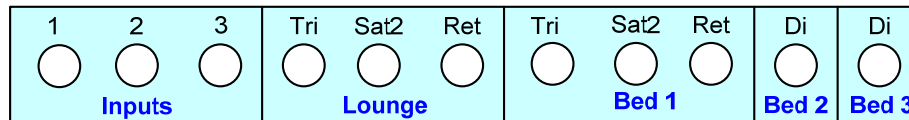
The TV patch panel is sited within the Equipment Cabinet.

Panel Layout

Each dwelling receives three independent TV/Sat feeds from the site TV distribution system. These are presented on the first three outlets of the TV patch panel. In addition to a (switch able) satellite feed, each of the three inputs carries the full set of terrestrial signals, including TV analogue, TV digital, VHF and DABS.

The rest of the used panel outlets are connected to the TV outlets within the dwelling, three each to the Lounge and Master Bedroom Sockets and one to each of the Bedroom Sockets.

Inputs can be connected to outputs, simple by patching F-plug leads between the desired input and output.



The following sections describe popular configurations, including showing the necessary TV Panel patch connections.

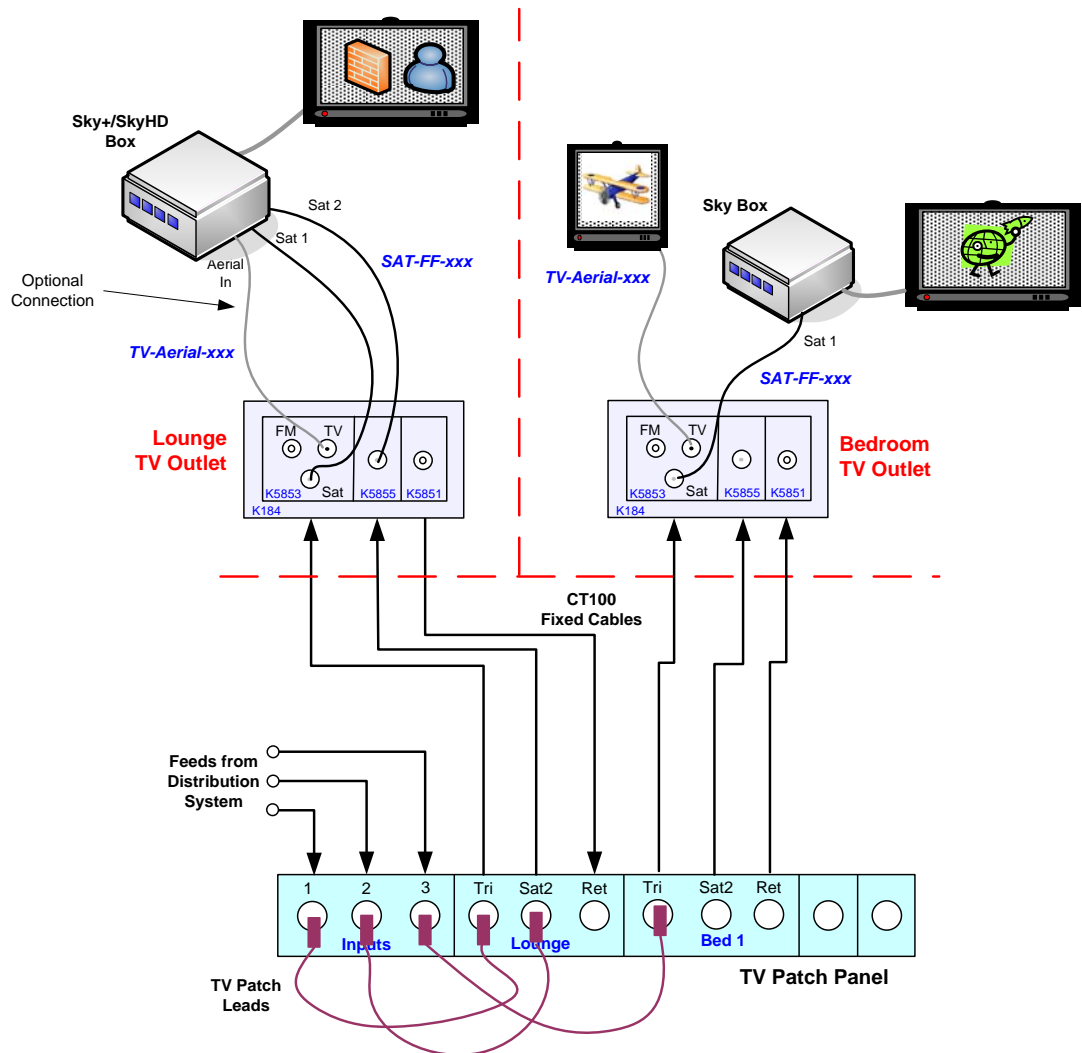
4.6 Default TV Configuration

This is the configuration that was setup and tested when the system was first commissioned in 2007.

Single Bedroom Private Dwellings

This provides TV/Sky+/SkyHD in the lounge and TV/Sky in the bedroom.

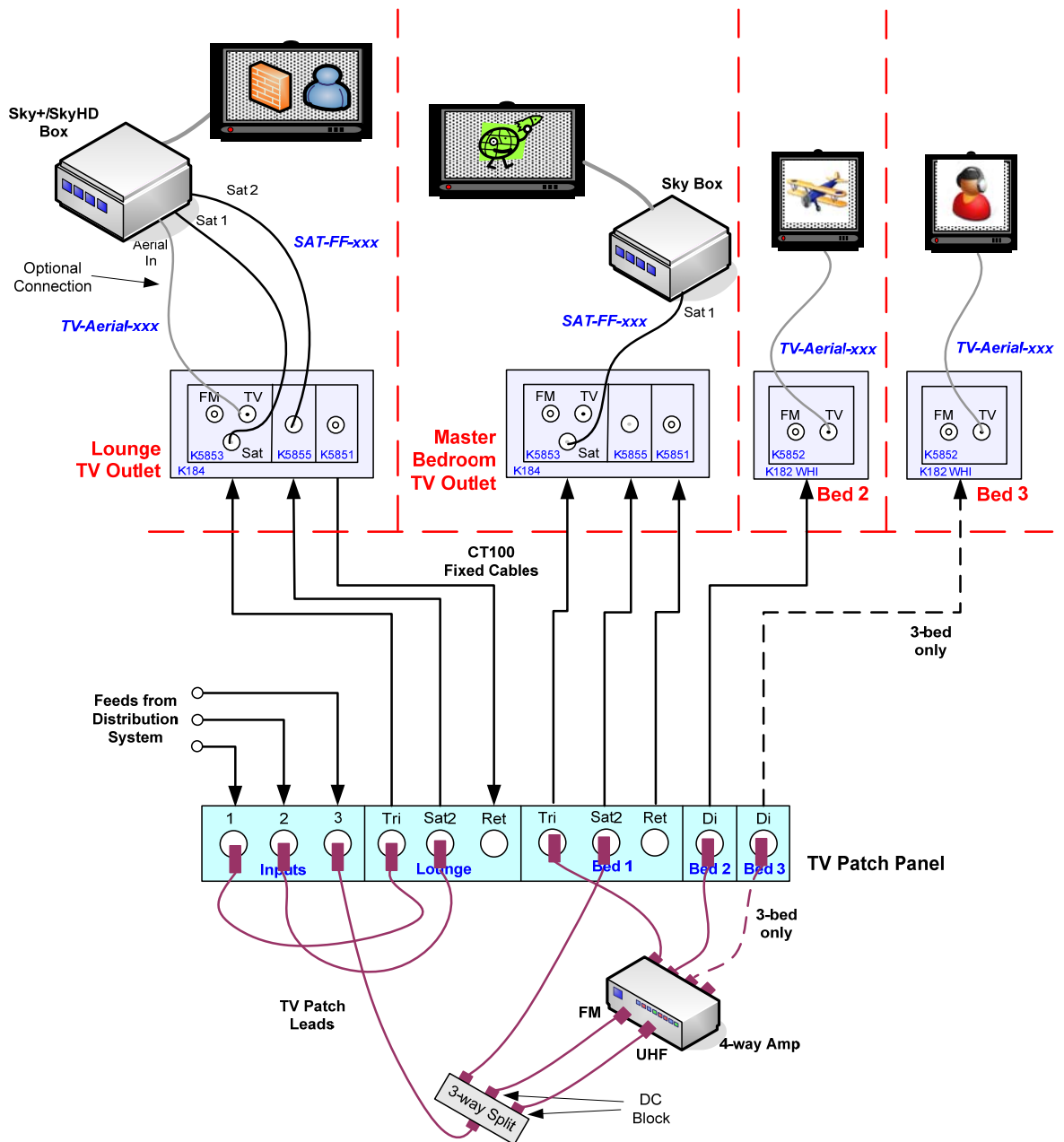
Room	TV	FM/ DABS	Sky	Sky+ /HD
Lounge	✓	✓	✓	✓
Master Bed	✓	✓	✓	



Two/Three Bedroom Private Dwellings

This provides TV/Sky+/SkyHD in the lounge, TV/Sky in the master bedroom and TV in other bedrooms.

Room	TV	FM/DABS	Sky	Sky+ /HD
Lounge	✓	✓	✓	✓
Master Bed	✓	✓	✓	
Bedroom 2	✓	✓		
Bedroom 3	✓	✓		

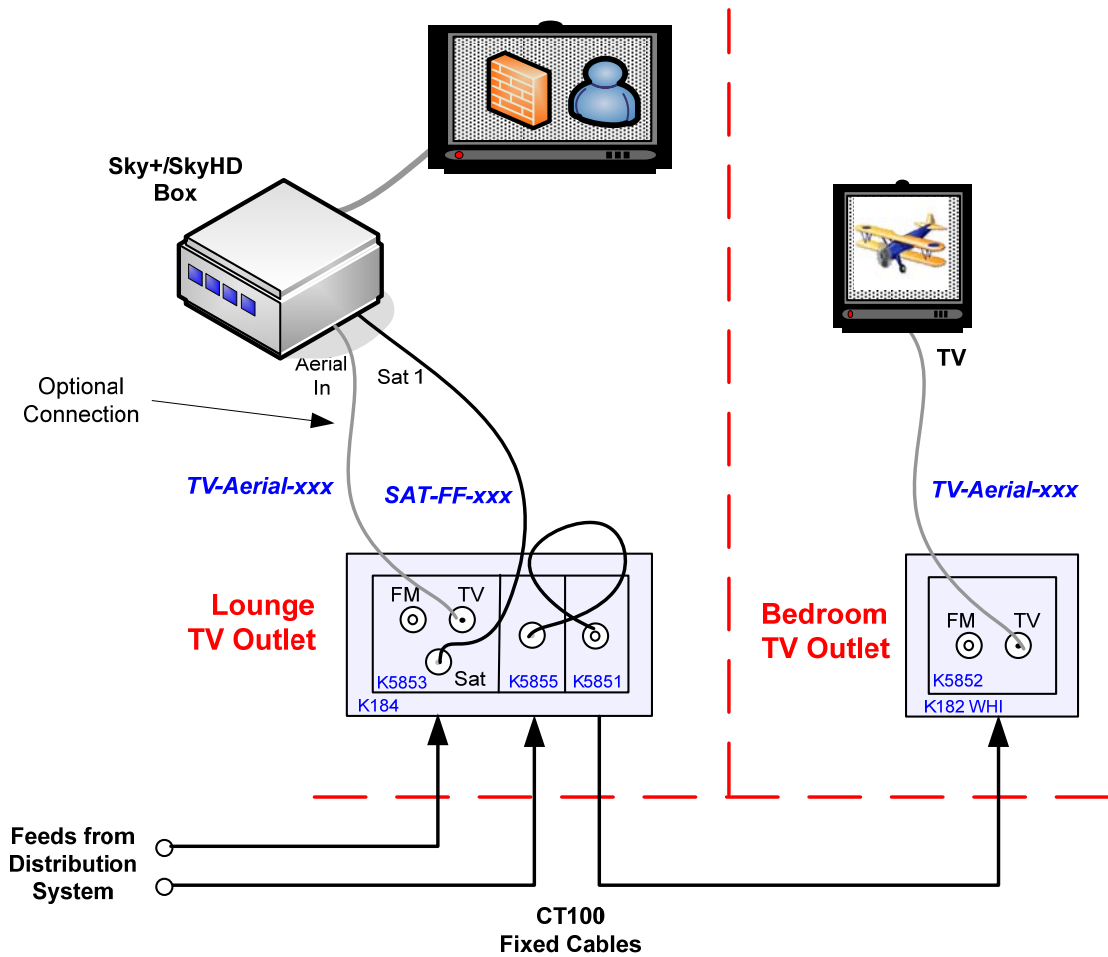


Affordable Dwellings

This provides TV/Sky in the lounge and TV in the bedroom.

In order to use Sky+/SkyHD please see next section 4.8.

Room	TV	FM/ DABS	Sky	Sky+/ HD
Lounge	✓	✓	✓	✓
Master Bed	✓	✓		



4.7 Use Return from Lounge to View Sky in Bedrooms

The Sky Box has the facility for the Sky to be controlled and viewed on a one or more further TV's in another rooms. Being an analogue modulated signal, the quality of picture in the bedrooms is not normally good enough for displaying on large flat panel displays. However, for small TV sets, this is an ideal way to watch & control the Sky box from the bedroom (as long as the viewer in the lounge wants to watch the same program).

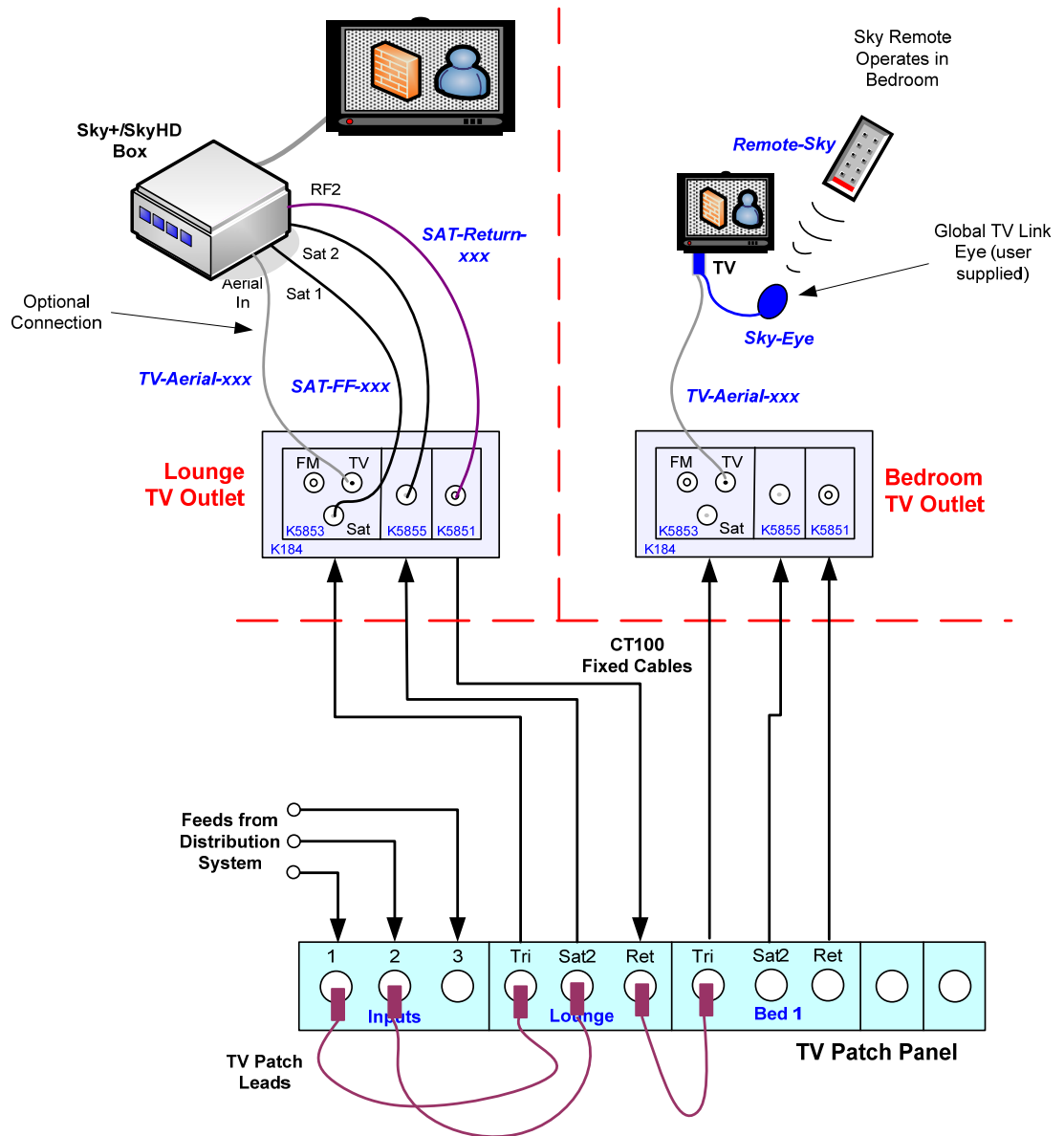
Note:

- As well as re-patching the TV patch panel as per the schematic below, an additional Sky Return lead will be required, to connect the Return 2 of the Digibox to the Sat2/Ret outlet on the Lounge Socket (*Sky-Return-xxx*).
- To watch Sky on the Bedroom 1 TV, the TV will require tuning in to the Sky channel.
- In order to control the Sky box from Bedroom 1:
 - A tvLINK (*Sky-Eye*) (often know as Magic eye) infrared repeater and second Sky remote (*Remote-Sky*) will be required. These are available from most TV stores.
 - The Sky Digibox will require setting up through the Installer Menu. The TVlink should come with instructions on how to do this. Alternatively, follow the instructions in Appendix C.
- The Sky Digibox can only output one channel at a time, so in multi-bedroom apartments, the TV's in every bedroom will show the same channel.

Single Bedroom Private Dwellings

This example shows moving from Input 3 to the Lounge Return the patch lead which feed the Bedroom. The result is that standard TV plus the Sky program can be watched in the bedroom.

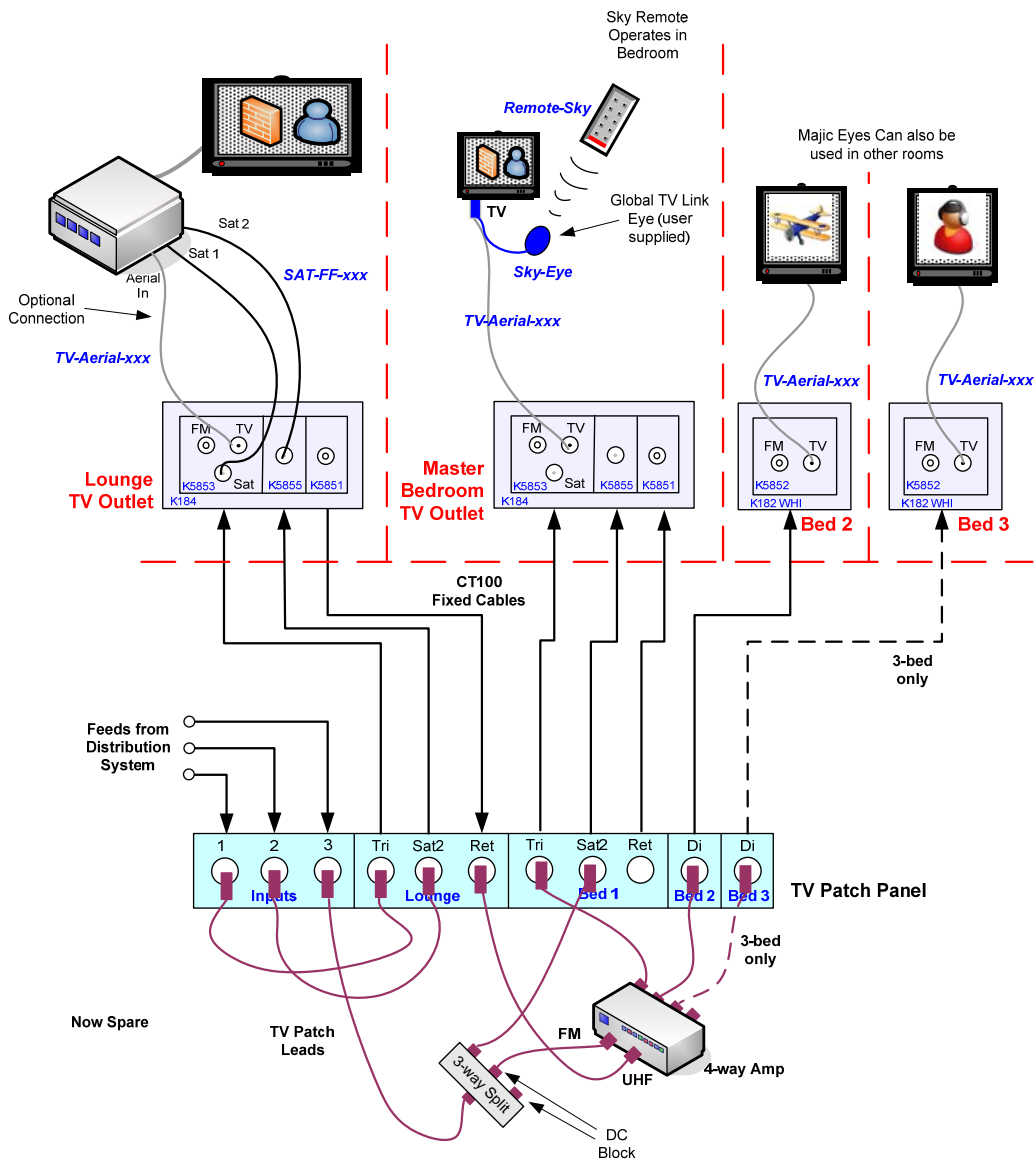
Room	TV	FM/ DABS	Sky	Sky+/ HD	Lounge Sky Chan
Lounge	✓	✓	✓	✓	
Bedroom	✓				✓



Two/Three Bedroom Private Dwellings

This example shows moving from Input 3 (via splitter) to the Lounge Return the patch lead which feed the Bedroom Amplifier. The result is that standard TV plus the Sky program can be watched and controlled in all of bedrooms.

Room	TV	FM/ DABS	Sky	Sky+/ HD	Lounge Sky Chan
Lounge	✓	✓	✓	✓	
Master Bedroom	✓	✓	✓		✓
Bedroom 2	✓	✓			✓
Bedroom 3	✓	✓			✓

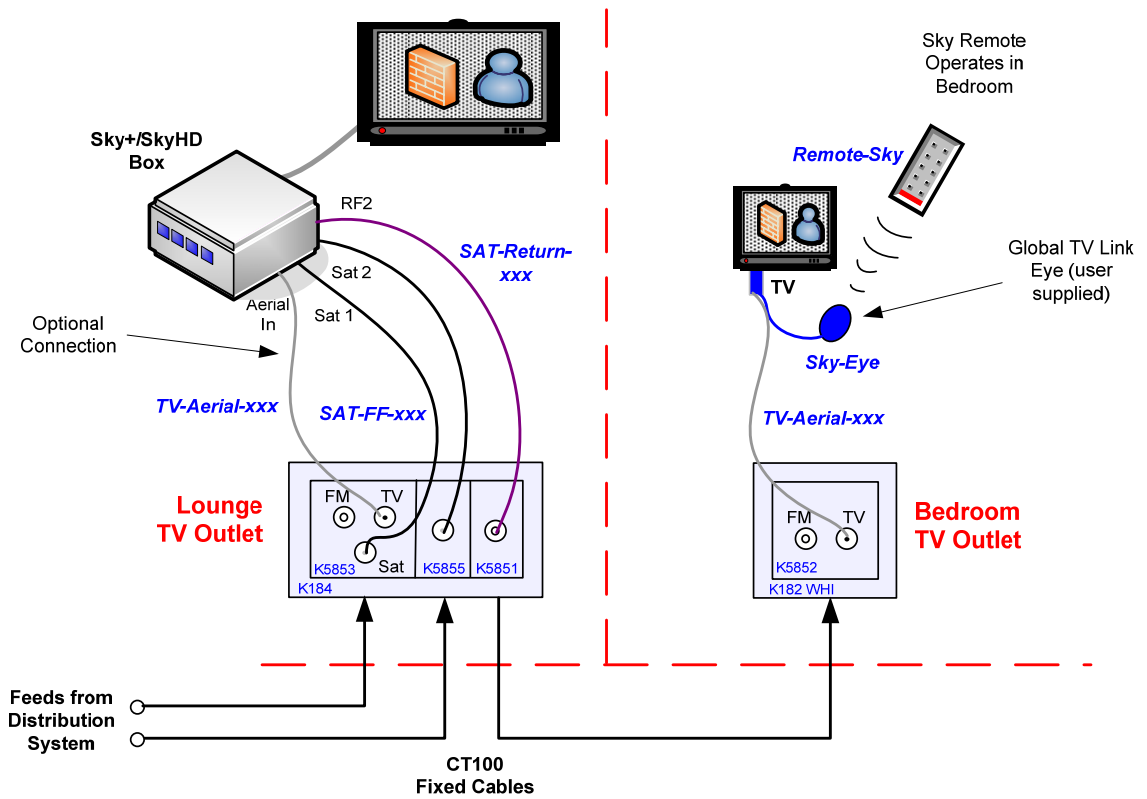


Affordable Dwellings

By unplugging the wrap cable in the lounge outlet plate and replacing with the output from the Digibox RF2 output, both Terrestrial TV and the Sky box can be viewed/controlled in the bedroom.

Please take care not to lose the now spare wrap cable, as it will be required to wrap TV signals to the bedroom when the Sky Digibox is removed.

Room	TV	FM/ DABS	Sky	Sky+/ HD	Lounge Sky Chan
Lounge	✓	✓	✓	✓	
Bedroom	✓				✓



4.8 Other Configurations

It is possible to extend the system to provide a number of different configurations, such as:

- Sky+/SkyHD in the Master Bedroom.
- Return being fed from the Master Bedroom.
- Sky in more rooms (this would require changing a diplex plate to a Triplex)

For more advice or assistance on how to do this, please call Able Data as shown in Section 2.2.

Important

Because of the limited quantity of satellite feeds coming into each dwelling, there is an upper constraint on the use of Sky in a dwelling.

Private Apartments (three incoming feeds)

- One Sky+/HD box plus one Sky box
- Three Sky boxes (at least one Bed 2/3 diplex plate would need to be changed to triplex plate)

Affordable Apartments (two incoming feeds)

- One Sky+/HD box
- Two Sky boxes (the bedroom diplex plate would need to be changed to a triplex plate)

5 The Telephone & Data System (Private Apartments)

5.1 Introduction

There are a number of telephone/data outlets distributed around the dwelling. These are standard RJ45 Cat5e structured cabling outlets, connected back to the Equipment Cabinet.

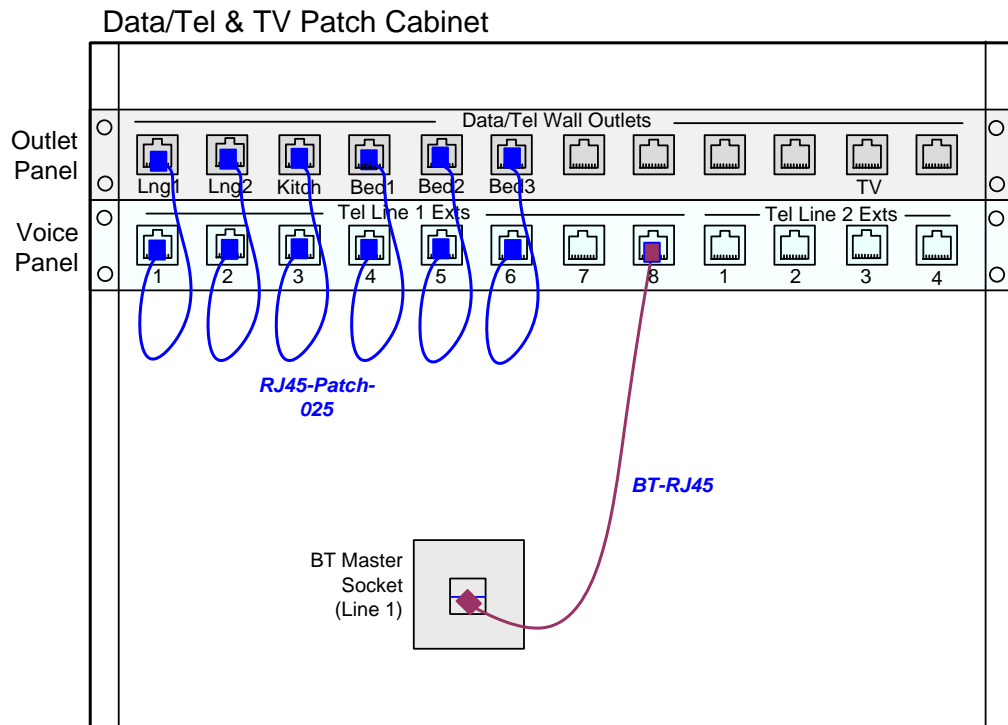
The most common use of these outlets is for plugging in telephones. However, they may also be used for other applications such as computer networking, TV distribution or any other application that can run over standard Cat5e structured cabling.

5.2 Inside the Equipment Cabinet

The schematic below shows a typical data panel setup.

Data Panel

There will be one outlet panel in the cabinet. Each socket on this panel is connected to a telephone/data outlet somewhere in the dwelling. You will be able to work out which by referring to the labelling. Outlet D1 on the panel is connected to the wall outlet marked D1 and so on.



Voice Panel

The second panel is the voice panel, onto which the BT extensions are presented.

- **Line 1.** The BT primary line will be connected to the eight leftmost sockets on the panel (labelled 1 to 8), which act as eight extensions to that line. Although it is possible to plug a telephone directly into any of these sockets, you would normally patch these sockets to outlet sockets of your choice, allowing you to plug

telephones into the wall outlets around the dwelling. By default, all of the outlets are patched for telephone useage.

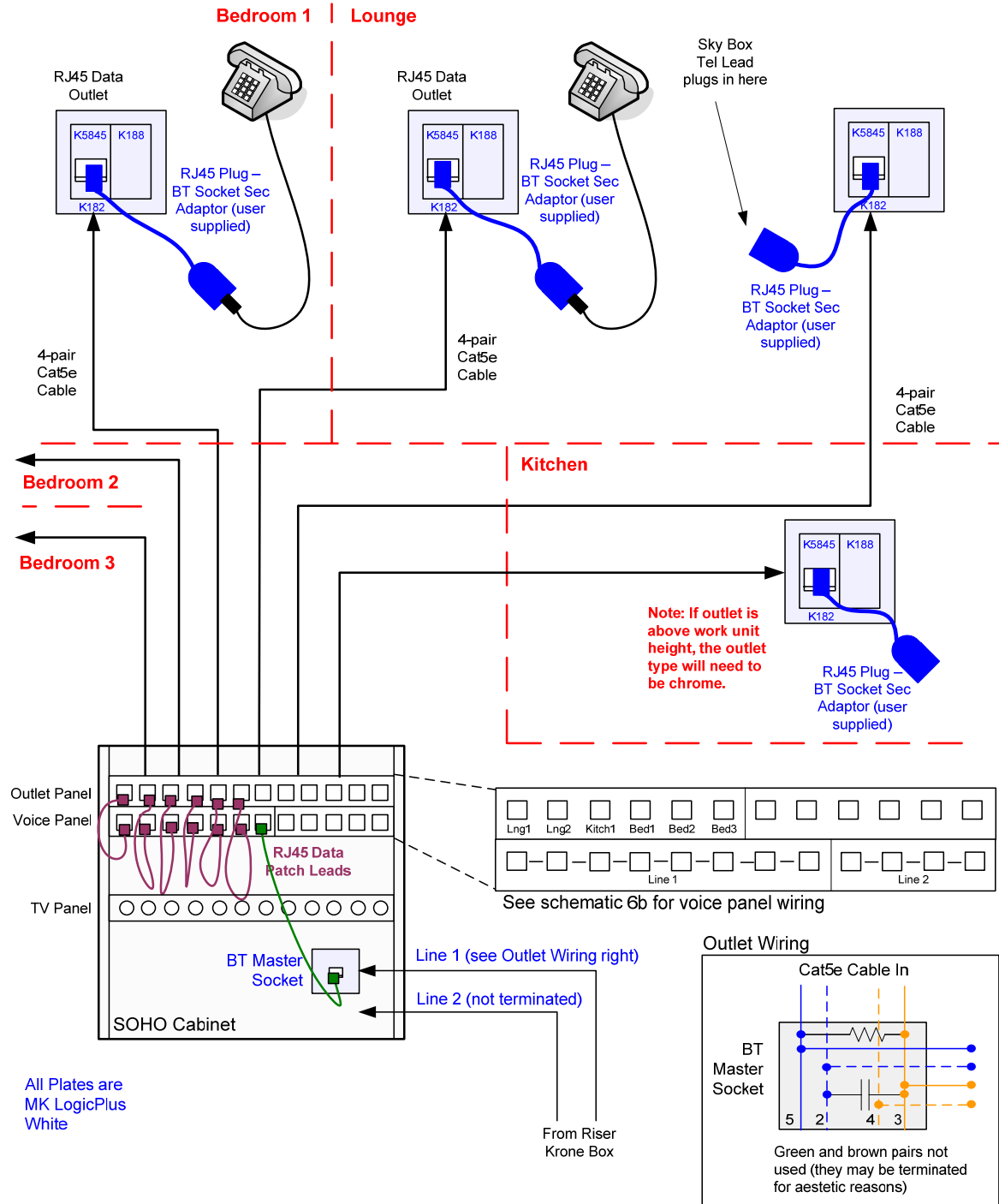
- **Line 2.** If a second external telephone line is required (for example a fax line), this can be connected to the voice panel and will appear on the remaining four sockets. As per Line 1, these can be patched through to any outlets of your choice. Note that you will need to obtain an additional BT-RJ45 lead ([BT-RJ45](#)) and use this to connect the BT second socket to the voice panel (L2 socket).

For those extreme technical types, Appendix A details the voice panel wiring schematic and Appendix B the BT-RJ45 lead pin out.

5.3 Connecting Telephone Extensions

If some of the previous section was a little difficult to follow, do not fear - connecting a telephone is simple:

1. Plug the telephone into a free Telephone/Data outlet. To do this you will require an RJ45-BT secondary adaptor (*Tel-Sec*).
2. In the Equipment Cabinet check whether the outlet that you have just plugged into is patched into a Line 1 extension (1 to 8). If not, use a free RJ45 patch lead (*RJ45-Patch-025*) to connect your chosen socket on the data (top) panel to a free socket 1-8 on the voice (bottom) panel.



5.4 Connecting a Second Line

If a second external line is connected, it should be installed by BT as a second BT socket within or next to the equipment cabinet. You will then need to connect from this socket into the L2 socket of the voice panel using a BT-RJ45 lead (*BT-RJ45*).

You will then be able to connect telephones and other devices to the second line by patching outlets to the three extensions on the voice panel, as per previous section.

5.5 ADSL Broadband

ADSL is the most popular broadband method of connecting to the Internet.

There are two main schemes for connecting broadband within your dwelling

ADSL Modem/Router in the Equipment Cabinet

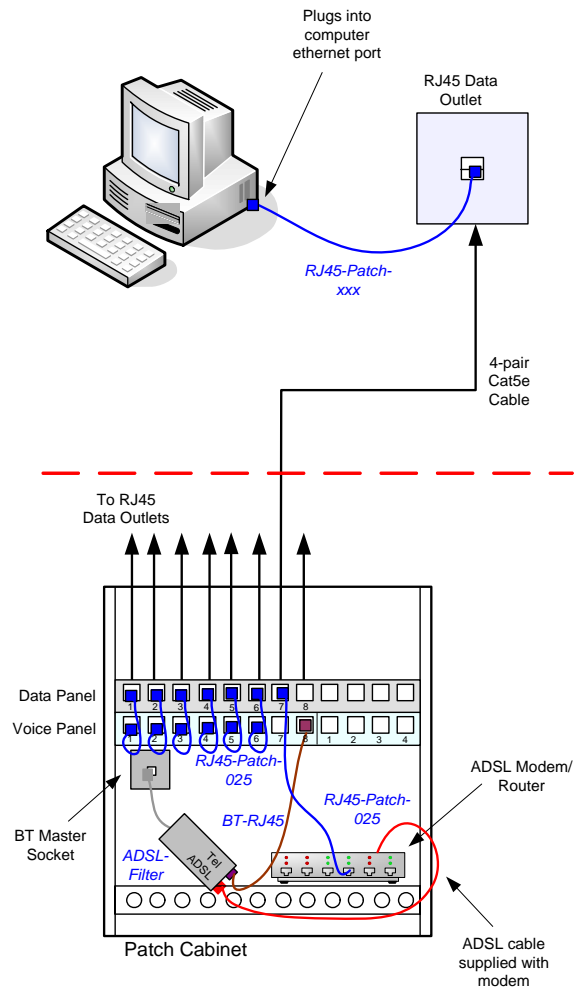
This method provides the most flexible solution.

When ordering the ADSL connection, make sure that it comes with an ADSL modem which provides at least one Ethernet connection. Ideally it will be an ADSL modem/router which also acts as a network switch and which typically provides four network Ethernet ports. Many such modems also provide a wireless interface.

Mount the ADSL modem either in or beside (if it a wireless modem outside the cabinet is much better) the Equipment cabinet and connect it as shown in the schematic. You will then be able to connect one or more PC's to the internet by patching through to the modem as shown. Note that each PC will require an Ethernet interface.

The only down side with this method may be that the network connection uses up a outlet which would otherwise serve as a useful telephone outlet. In this case consider one of the following:

- Use a wireless connection to the computer
- Connect the data and voice links to the same outlet. It is possible to obtain combiners/splitters which allow a telephone & computer to share an outlet.

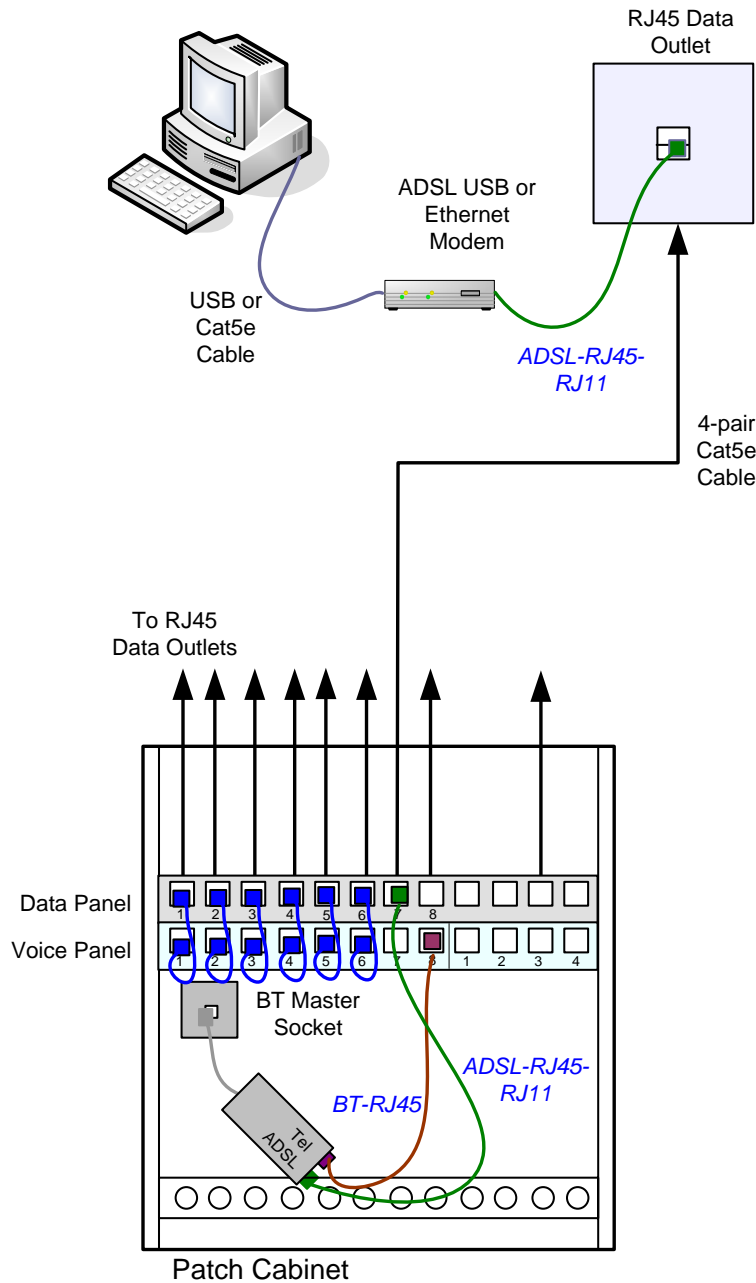


Modem kept in cabinet and connects to one or more computers through structured cabling. Modem may also support a Wireless Interface.

ADSL Modem in the room

The other main method of installing ADSL is to put the modem next to the computer to which it can be directly connected. The modem can then be of any type (USB or an Ethernet router as described in the previous section).

To connect the modem, two RJ45-RJ11 (*ADSL-RJ45-RJ11*) cables will be required, marked in green in the schematic below.



Tip

If you connect a second ADSL filter into the wall outlet designated for the computer (you will need a Tel-sec adapter), as well as the ADSL modem (use the RJ11-RJ11 lead supplied with the modem), you will also be able to connect a telephone/fax.

5.6 Other Applications

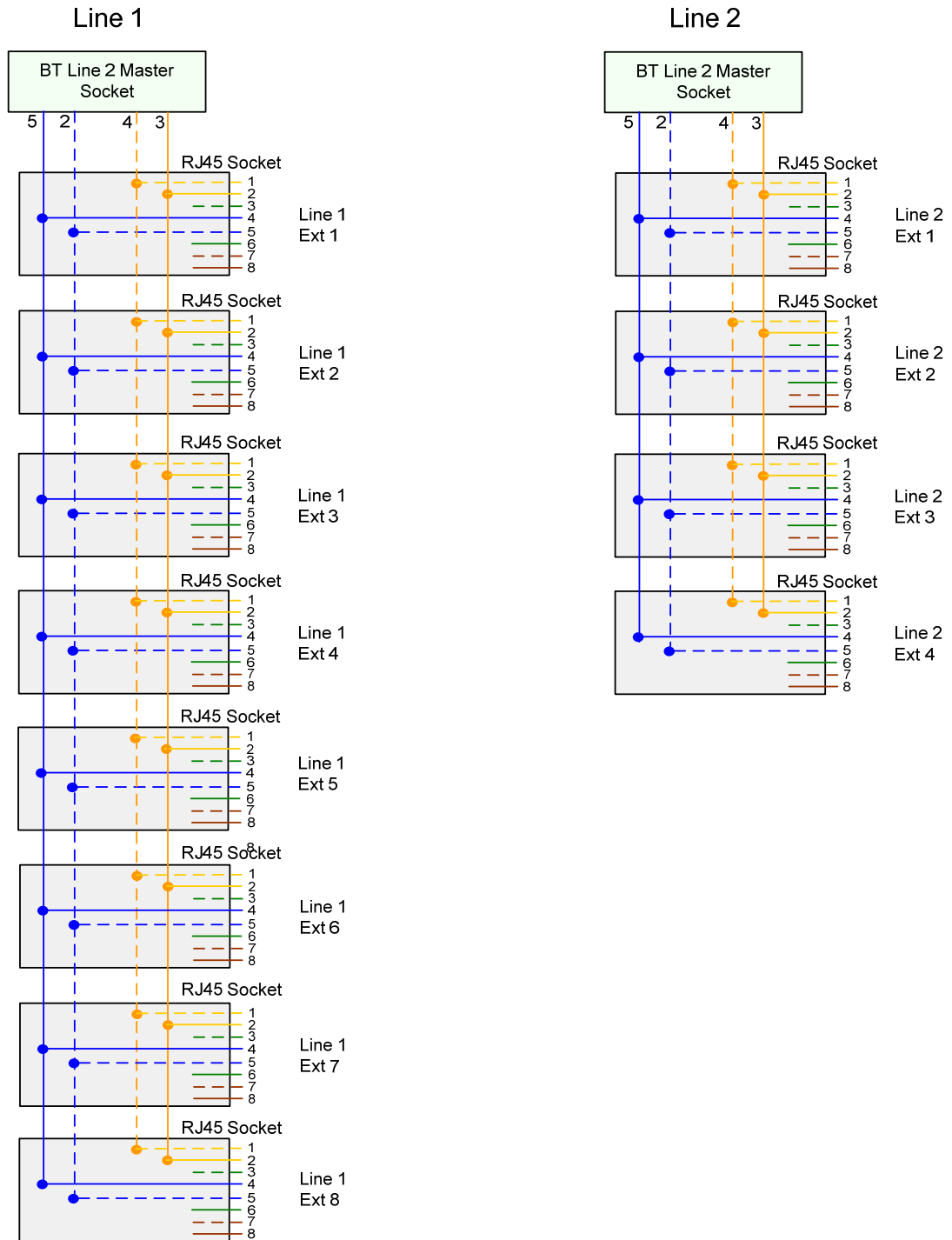
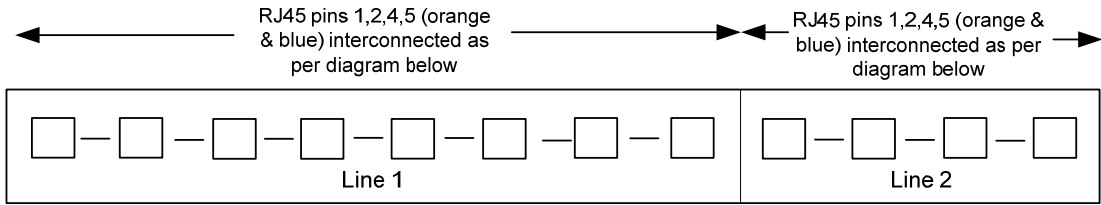
It is possible to extend the system to provide a variety of different functions.

Examples are:

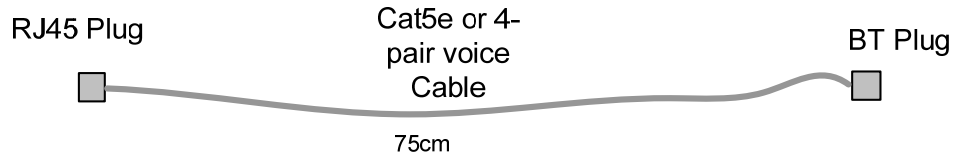
- TV distribution system
- Computer Network
- Telephone switch

Feel free to Call Able Data to discuss. Alternatively visit the Able Data web site. See Section 2.2 for details.

Appendix A Voice Line Circuit Information

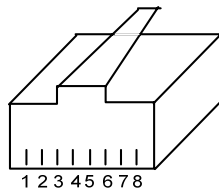


Appendix B BT-RJ45 Patch Lead Schematic

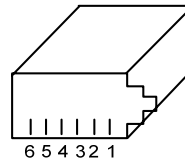


Pin Outs

RJ45 Panel	BT
1 Connected	1 Not Used 1
2 Bell	2 BT Line In B
3 Not Used 1	3 Bell
4 BT Line In A	4 Connected
5 BT Line In B	5 BT Line In A
6 Not Used 2	6 Not Used 2
7 N/A	
8 N/A	



RJ45



BT

All Viewed front end on

Appendix C Enabling the Sky RF2 Output

By default, a new Sky Box will output nothing from the RF2 output. However once enabled, RF2 will both output the Sky channel to another TV and accept tvLINK remote commands attached to that TV.

To enable RF2:

1. On the Sky remote, select 'System Setup'.



2. Enter in sequence '0', '1' & 'Select'. This will take you to the Installer Setup Menu.



3. Select Option 4 (RF Outlets), taking you to the RF Outlets menu.



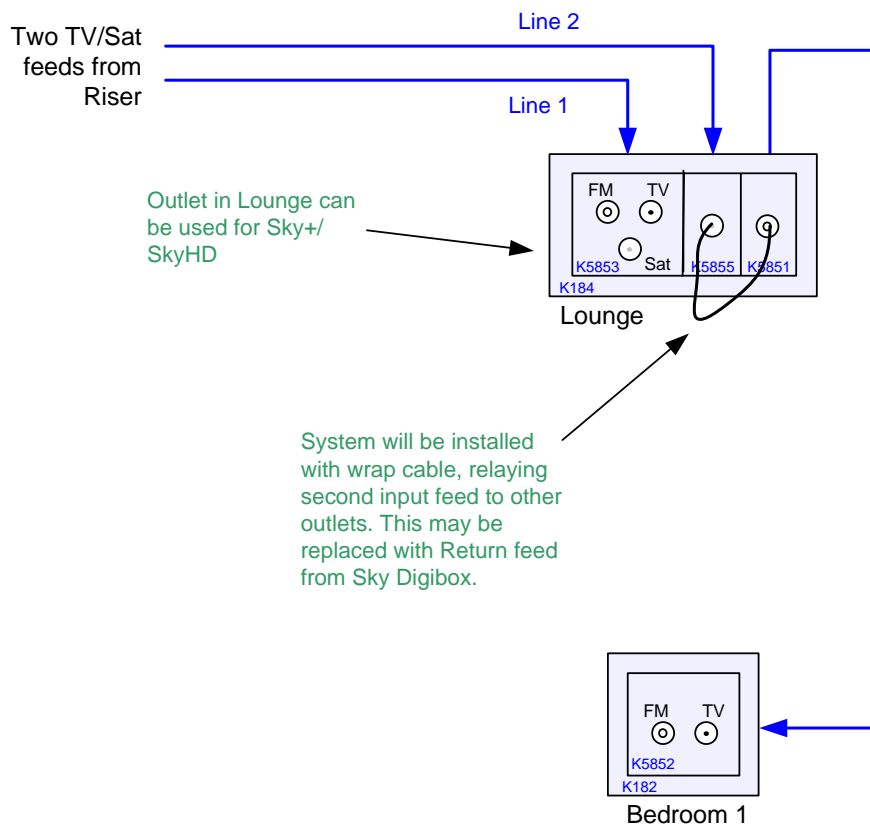
4. Set the RF Outlet Power Supply to ON (default is OFF).
5. [Another handy option here is the one to change the RF Channel Number on which the Sky outputs RF and RF2 outputs are set. This may be necessary in order to not conflict with broadcast channels or other equipment such as a VCR or DVD player. A good default channel for Vincent Square is 60, which conflict with no broadcast channels]
6. Save New Settings.

Appendix D Affordable Flat TV Cabling

The Affordable Apartment TV cabling is connected as per the schematic below. This provides for full TV/Sky/Sky+/SkyHD in the lounge and Terrestrial TV in the bedroom.

Note that in order to receive a TV signal in the bedroom, either the:

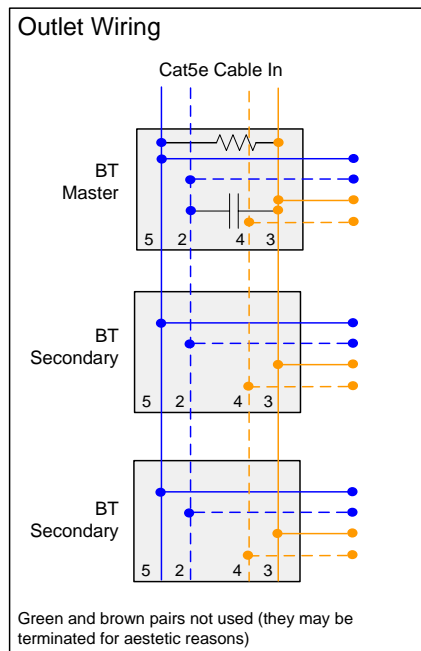
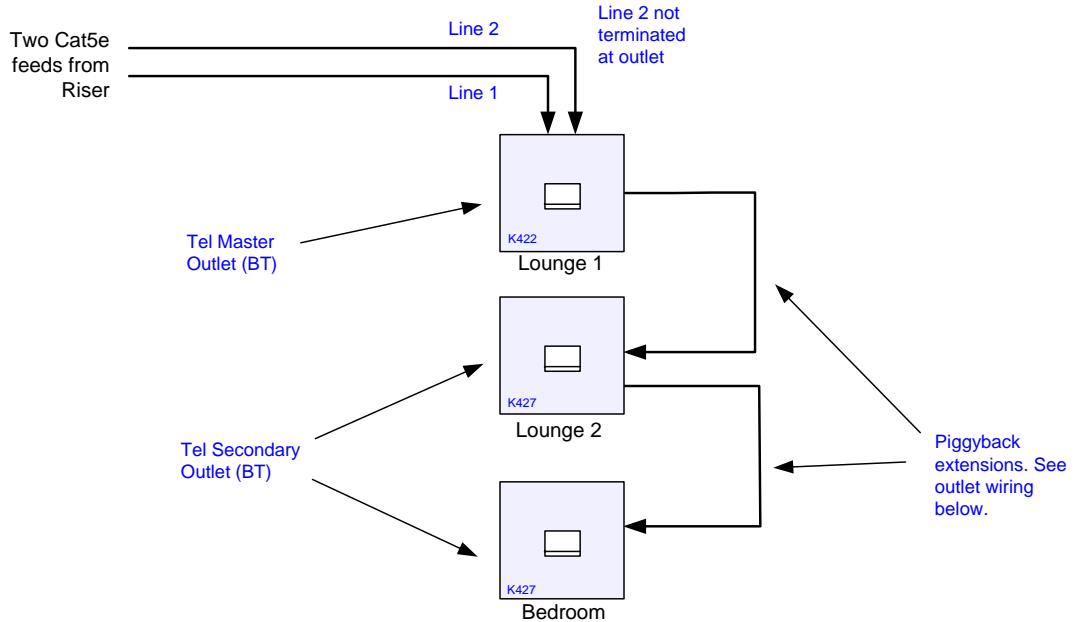
- Wrap cable should be plugged in as shown.
- Return (right most socket in schematic below) should be connected to the RF2 output of a Sky Digibox (or similar). In this case, both Terrestrial TV and the Sky program can be viewed in the bedroom. The digibox can also be remotely controlled from the bedroom by using a Sky Eye.



Appendix E Affordable Flat Telephone Cabling

The Affordable Apartment Telephone cabling is connected as per the schematic below.

This provides three BT style telephone outlets acting as three extensions of the primary line. Any re-configuration can only be done by re-connecting these outlet plates.



Note:
BT Telephone outlets have been used throughout.

ADSL Broadband can be implemented by plugging in an ADSL modem to any of the Telephone outlets (via an ADSL filter). However, any telephone/fax devices in the apartment must be plugged in via filters, even if plugged into a different outlet plate from the modem.

Appendix F Commonly Used Leads & Parts

Part No	Description	Use
Telephone		
<i>Tel-Sec</i>	Secondary Cat5 Adapter	Plug telephone into wall sockets
<i>BT-RJ45</i>	BT to RJ45 Lead (0.5m)	Connect BT 1st or 2nd line into SOHO voice panel
ADSL		
<i>ADSL-RJ45-RJ11</i>	ADSL RJ11 to RJ45 Lead	Connect ADSL USB modem to wall socket. Two required.
<i>ADSL-Filter</i>	ADSL Filter approved for use with Dispersed Alarm System	Connect into BT wall socket to separate ADSL.
Cat5e Data/Voice Patch Leads		
<i>RJ45-Patch-025</i>	Cat5e RJ45-RJ45 Patch Lead (0.25m)	General patch lead for SOHO cabinet
<i>RJ45-Patch-100</i>	Cat5e RJ45-RJ45 Patch Lead (1m)	General patch lead for computer into wall
<i>RJ45-Patch-200</i>	Cat5e RJ45-RJ45 Patch Lead (2m)	General patch lead for computer into wall
<i>RJ45-Patch-300</i>	Cat5e RJ45-RJ45 Patch Lead (3m)	General patch lead for computer into wall
Satellite/RF Leads		
<i>SAT-FF-025</i>	Satellite Lead (0.25m) F-plug to F-Plug.	Short TV Sat lead for SOHO cabinet – typically used for patching on panel
<i>SAT-FF-050</i>	Satellite Lead (0.5m) F-plug to F-Plug	Short TV Sat lead for SOHO cabinet – typically used for patching on panel
<i>SAT-FF-200</i>	Satellite Lead (2m) F-plug to F-Plug	TV Sat lead for connecting Sky box to wall socket. Sky+/HD requires two leads.
<i>SAT-FF-300</i>	Satellite Lead (3m) F-plug to F-Plug	TV Sat lead for connecting Sky box to wall socket. Sky+/HD requires two leads.
TV Aerial Leads		
<i>TV-Aerial-200</i>	TV Lead (2m). IEC Male to IEC Female.	TV lead for connecting TV to wall socket or Video to TV.
<i>TV-Aerial-300</i>	TV Lead (3m) IEC Male to IEC Female.	TV lead for connecting TV to wall socket or Video to TV.
Sky Return Leads		
<i>Sky-Return-200</i>	Sky Return to F-Plug (2m). IEC Female to F-Plug.	Connect Return from Sky box to Sat2 wall socket to watch Sky in bedrooms
<i>Sky-Return-300</i>	Sky Return to F-Plug (3m) IEC Female to F-Plug.	Connect Return from Sky box to Sat2 wall socket to watch Sky in bedrooms
TV Parts		
<i>Remote-Sky</i>	Sky Digibox Remote Control	Spare remote. Use with TV Link for remote in 2 nd room.
<i>Remote-Sky+</i>	Sky+/HD Remote Control	Spare Sky+/HD remote. Use with TV Link for remote in 2 nd room.
<i>Sky-Eye</i>	Global TV Link Eye (Black)	Allows control of a Sky Box in another room. May be used with Sky or Sky+/HD.